

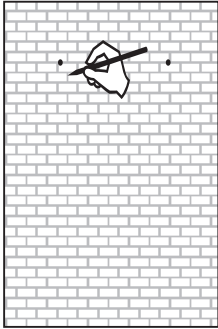


bathlife®

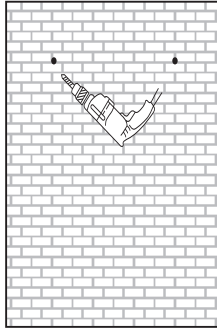
OF SWEDEN

INSTRUCTION

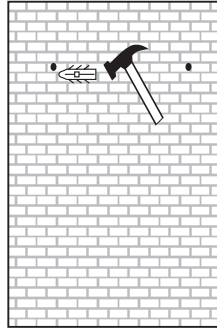
CE IP44 



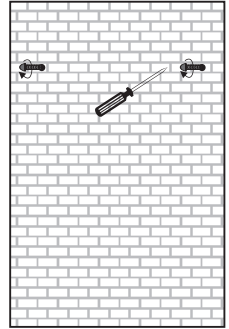
1



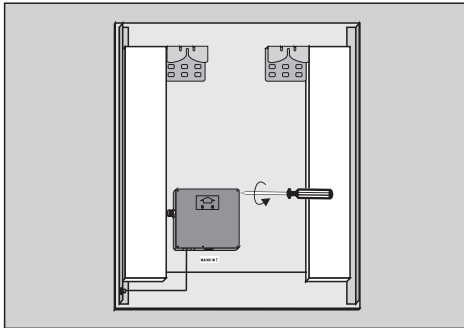
2



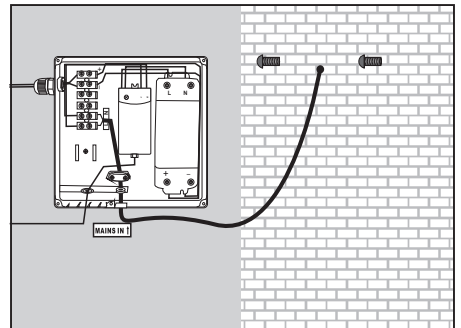
3



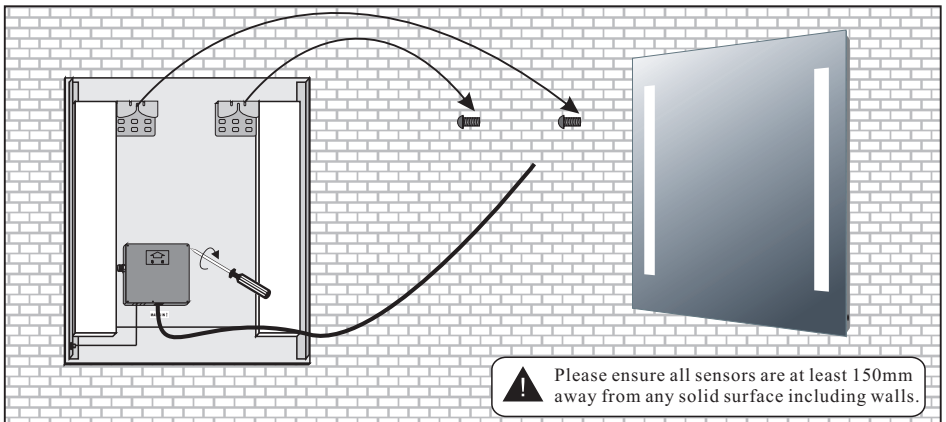
4



5



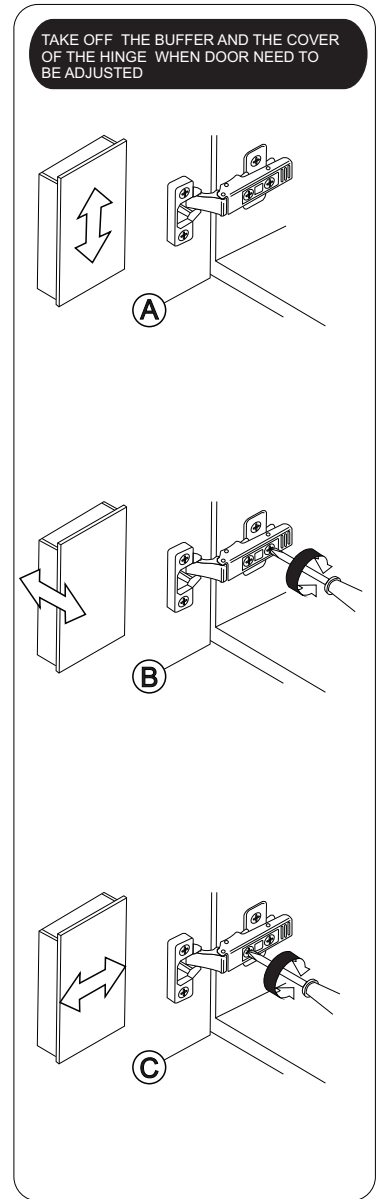
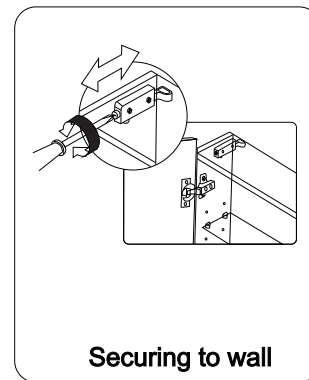
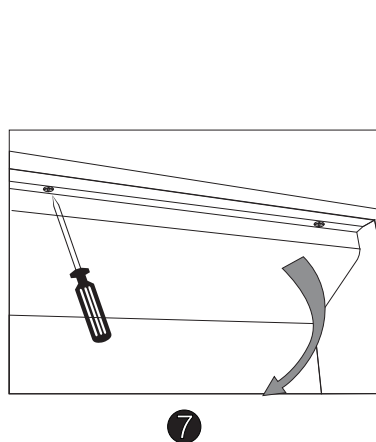
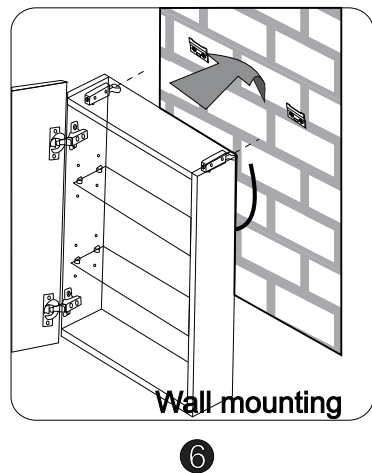
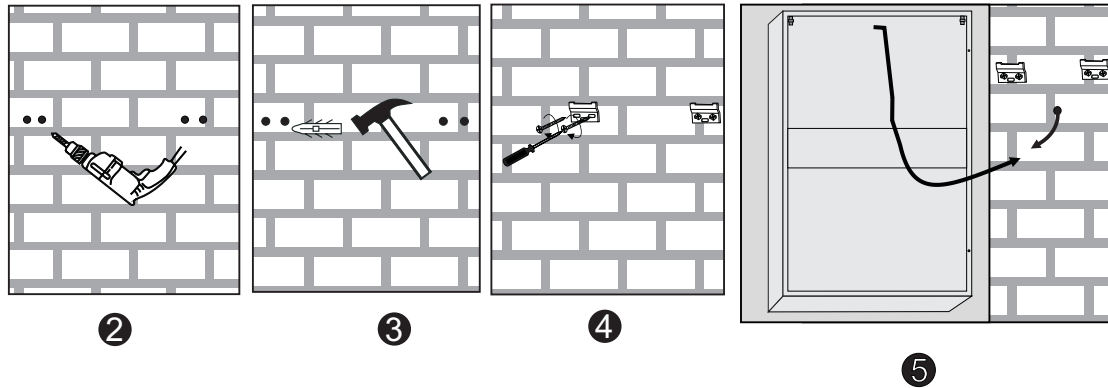
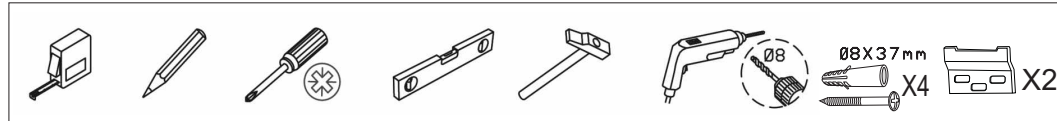
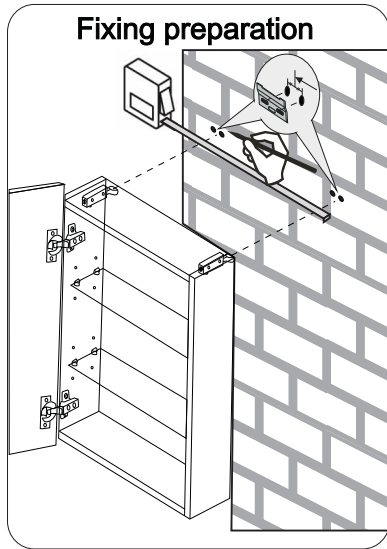
6



Please ensure all sensors are at least 150mm away from any solid surface including walls.

7

INSTRUCTION



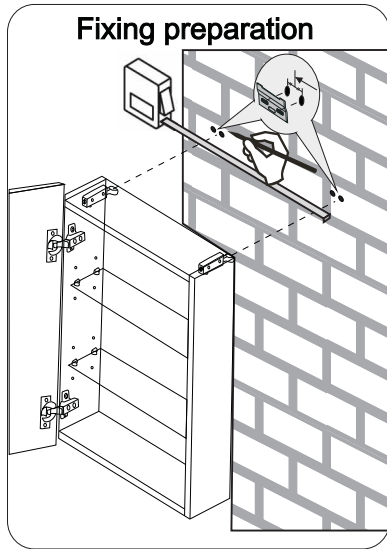
TAKE OFF THE BUFFER AND THE COVER OF THE HINGE WHEN DOOR NEED TO BE ADJUSTED

Door adjustment

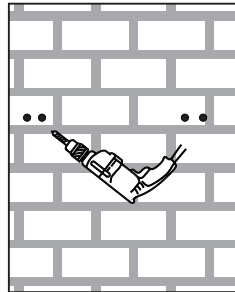
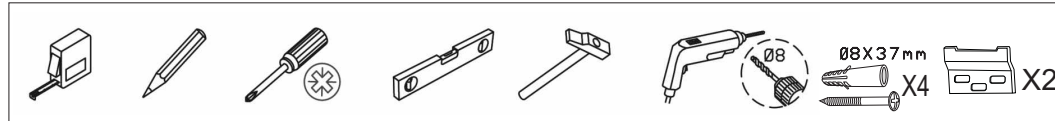
INSTRUCTION

CE IP44

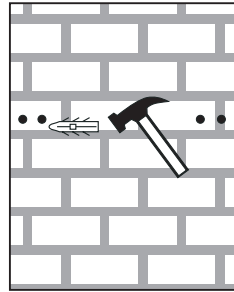
Fixing preparation



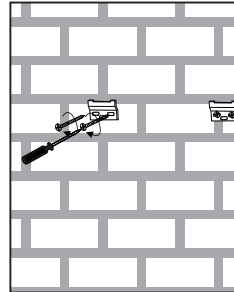
1



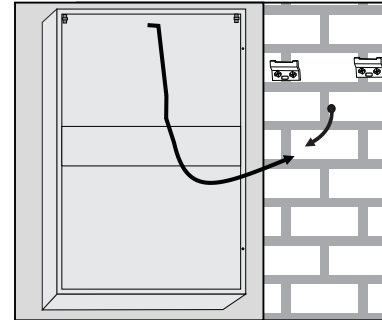
2



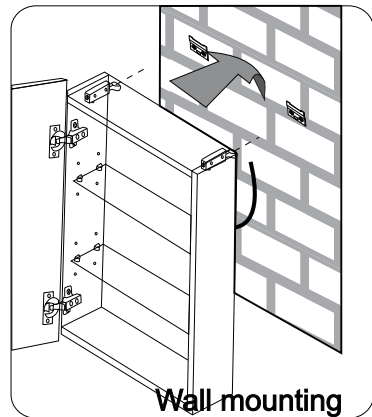
3



4

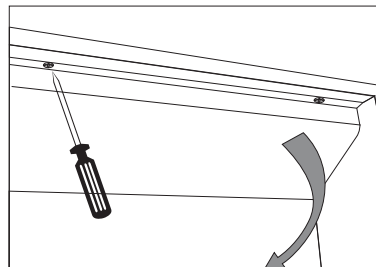


5

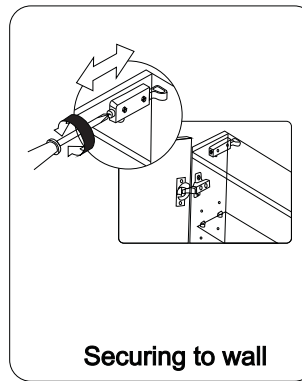


Wall mounting

6



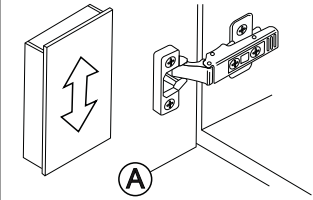
7



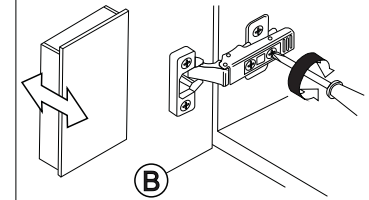
Securing to wall



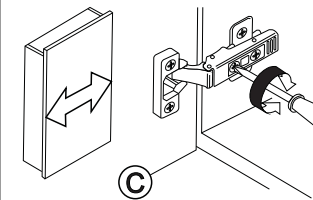
TAKE OFF THE BUFFER AND THE COVER OF THE HINGE WHEN DOOR NEED TO BE ADJUSTED



A



B



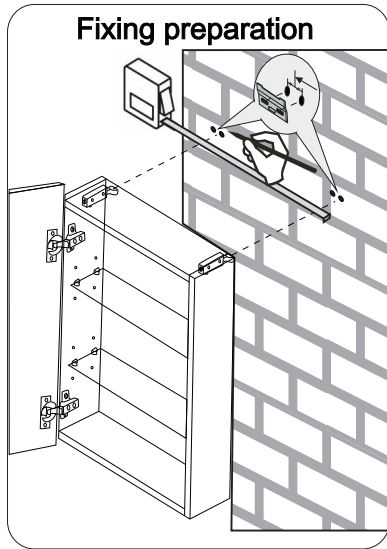
C

Door adjustment

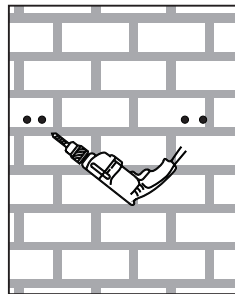
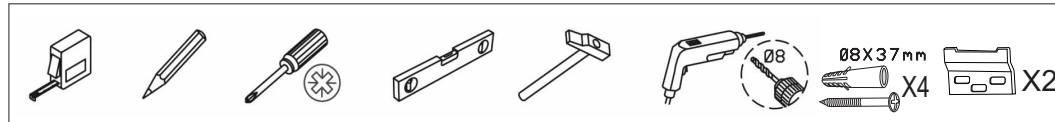
INSTRUCTION

CE IP44

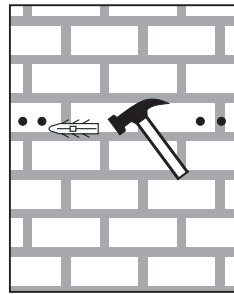
Fixing preparation



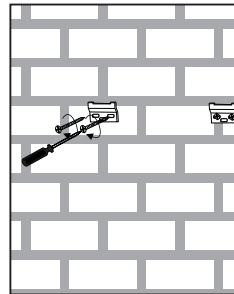
1



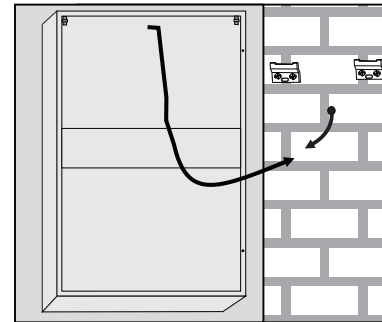
2



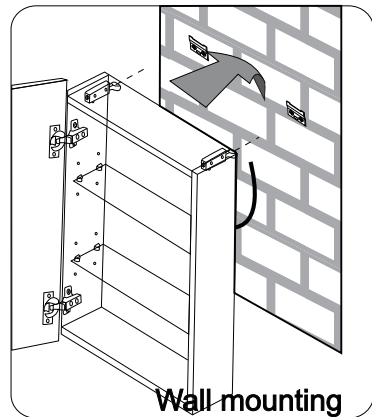
3



4

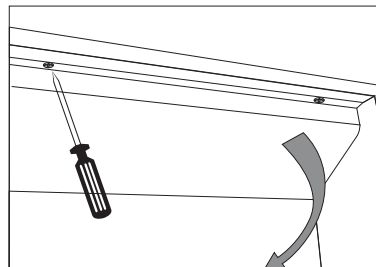


5

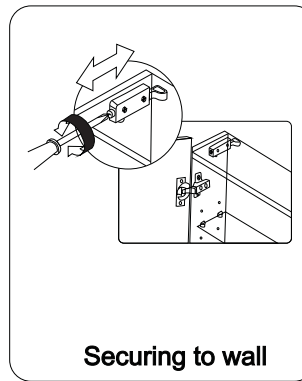


Wall mounting

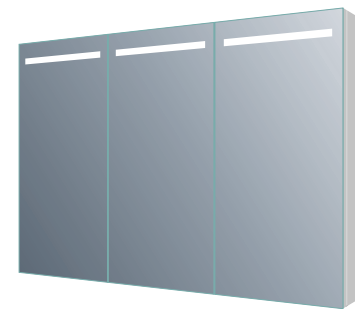
6



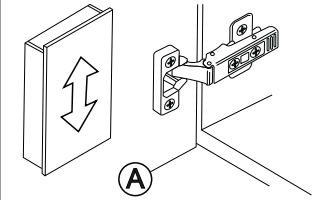
7



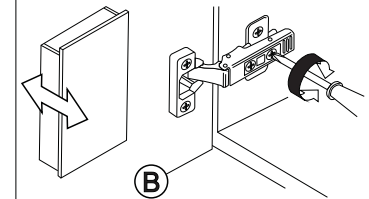
Securing to wall



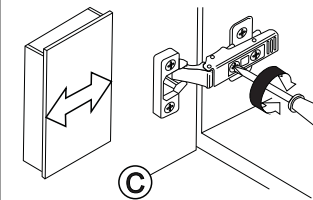
TAKE OFF THE BUFFER AND THE COVER OF THE HINGE WHEN DOOR NEED TO BE ADJUSTED



A



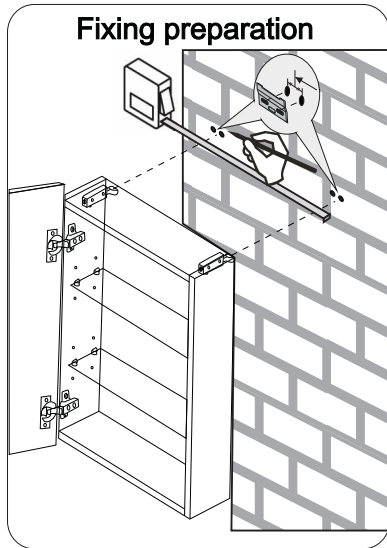
B



C

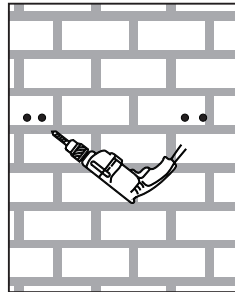
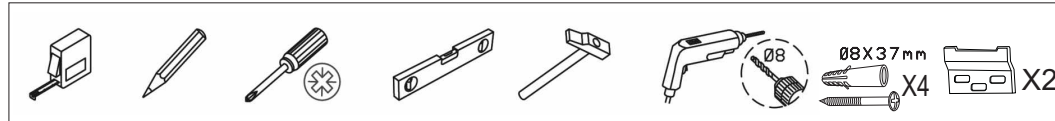
Door adjustment

INSTRUCTION

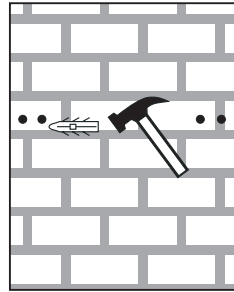


Fixing preparation

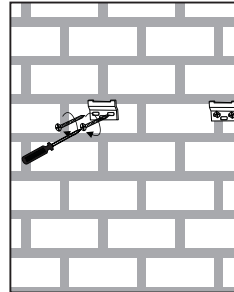
1



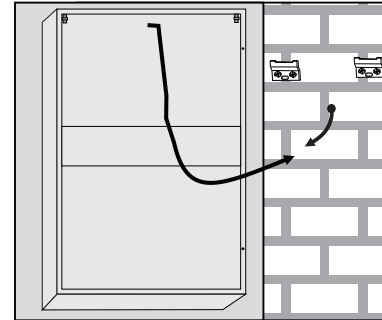
2



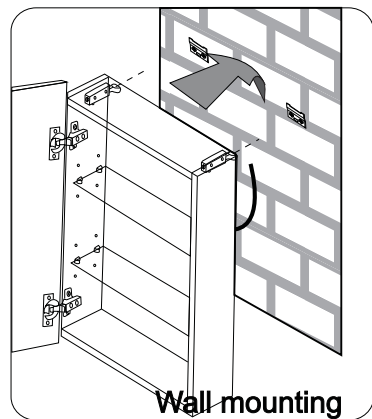
3



4

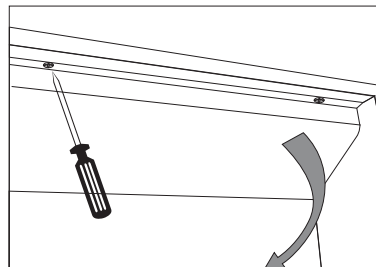


5

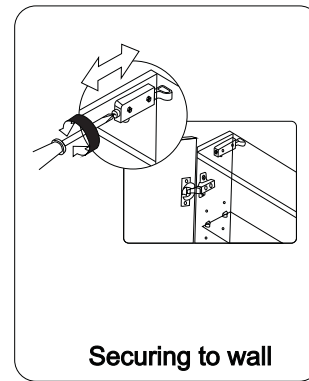


Wall mounting

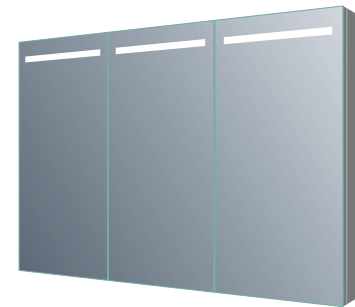
6



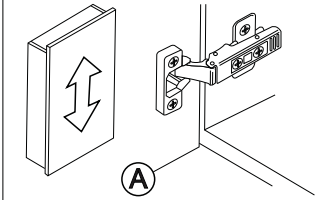
7



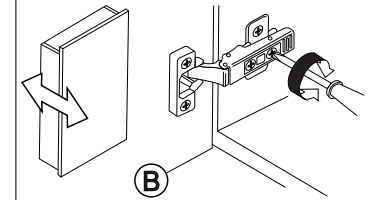
Securing to wall



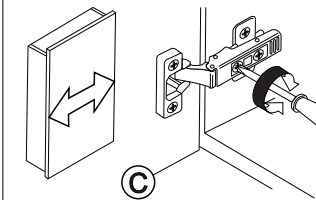
TAKE OFF THE BUFFER AND THE COVER OF THE HINGE WHEN DOOR NEED TO BE ADJUSTED



A



B



C

Door adjustment