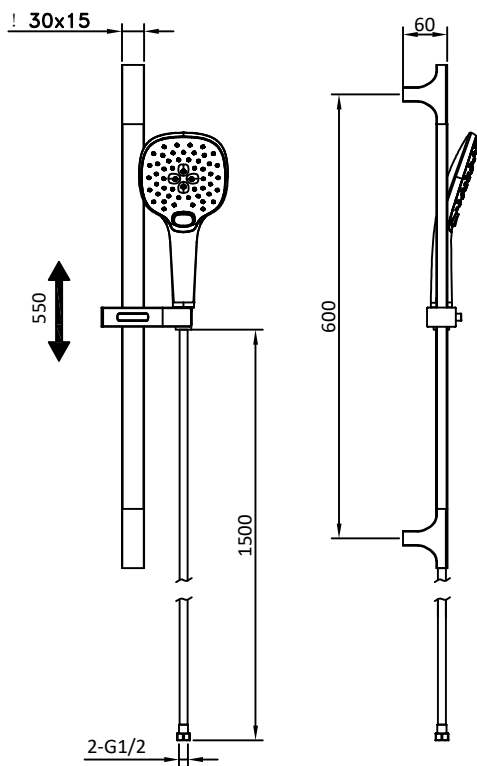


batlife®

Sliding Shower Set



Installation drawing

Installation Instruction

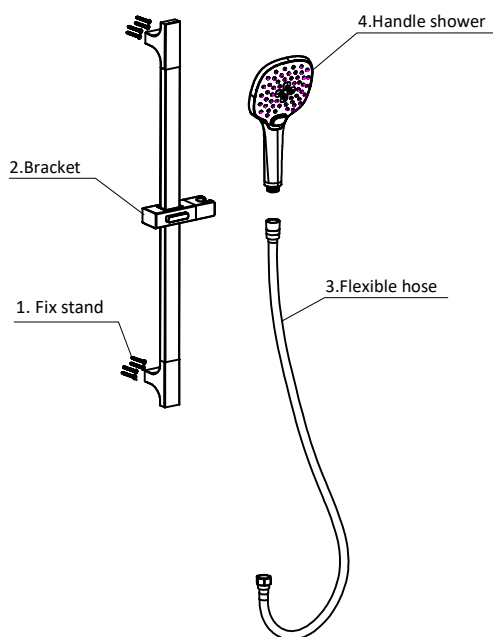
1. Choose a suitable position near the shower mixer to install sliding bar.
2. Keep the sliding bar perpendicular to horizon level, and then mark the fix stand (1) position on the wall, CC 600MM.
3. Drill the nail holes, and put the nuts into the nail holes until it is the same level with the wall.
4. Install the fix stand (1) and sliding bar.
5. Connect the flexible hose (3) to hand shower (4), then hang the hand shower to the bracket (2).

Cleaning and maintenance

1. Use soap and water to remove lime stains from chrome surface. Don't use acidic detergents, scouring pads or steel wool; otherwise the chrome parts will be damaged
2. Use soap and water to clean installation accessories, such as plastic or rubber components. Don't use acidic detergents, scouring pads, alcohol cleaners or steel wool.

Data Sheet

Nominal Diameter	G1/2
General Medium	Water
Water Pressure	0.05Mpa-0.5Mpa
Recommended Pressure	0.1Mpa-0.3Mpa
Temperature Range	4 C - 70 C



Product accessories