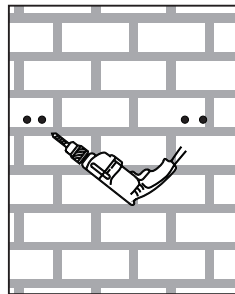
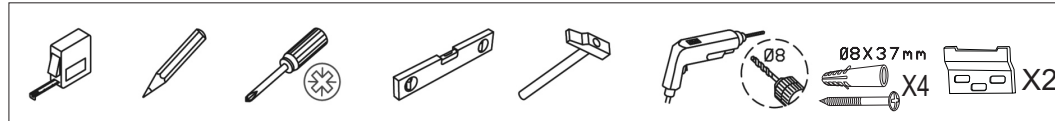
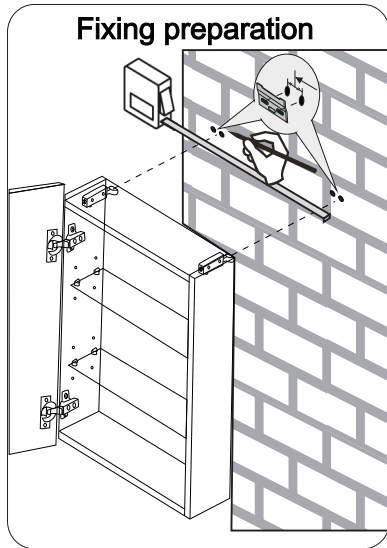
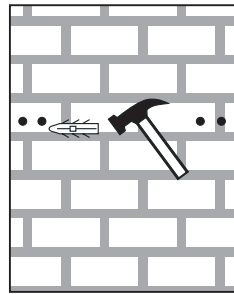


INSTRUCTION

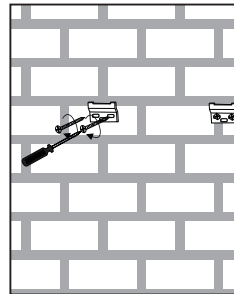
CE IP44



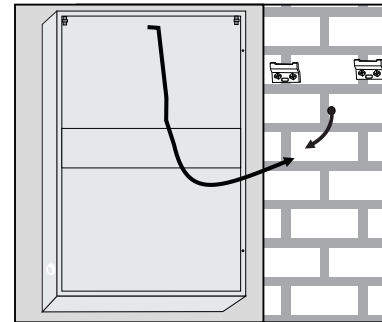
2



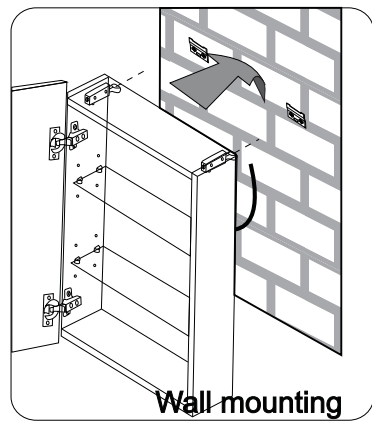
3



4

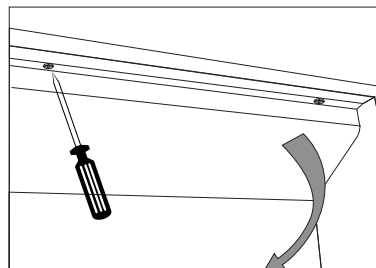


5

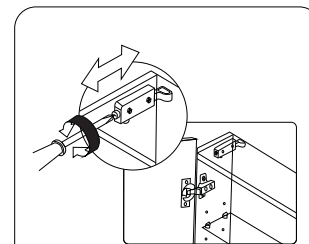


Wall mounting

6



7

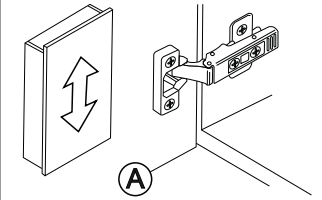


Securing to wall

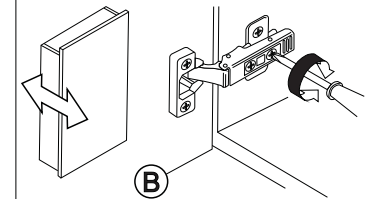


Button switch

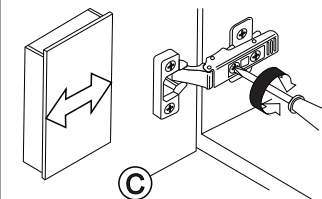
TAKE OFF THE BUFFER AND THE COVER OF THE HINGE WHEN DOOR NEED TO BE ADJUSTED



A



B

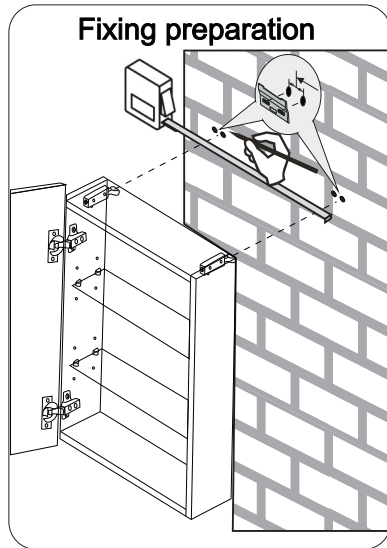


C

Door adjustment

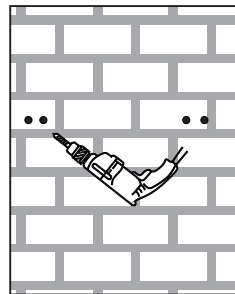
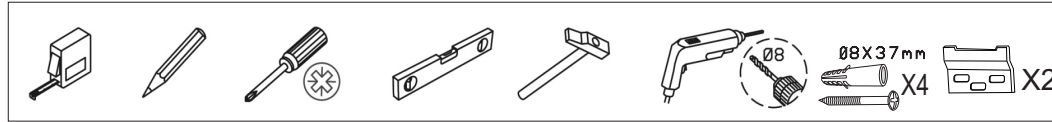
INSTRUCTION

CE IP44

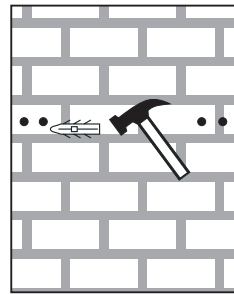


Fixing preparation

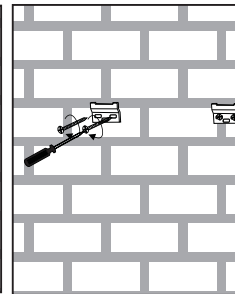
1



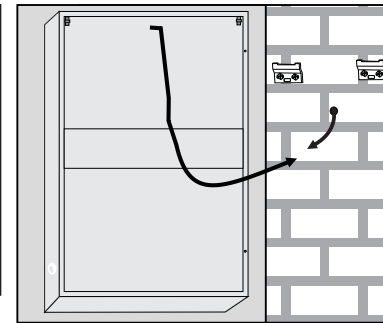
2



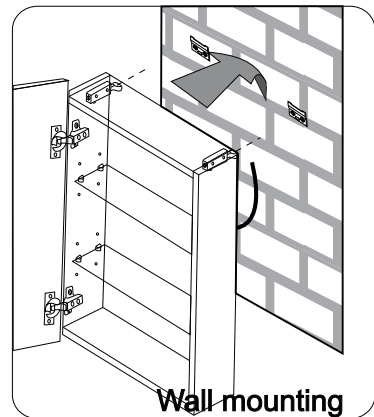
3



4

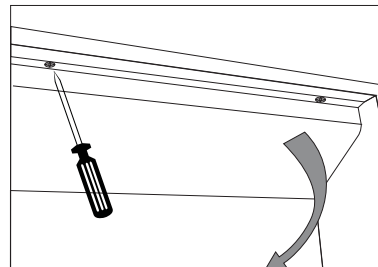


5

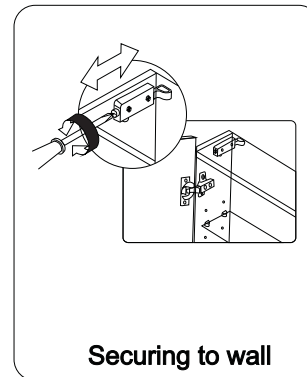


Wall mounting

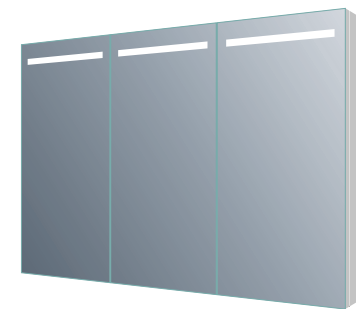
6



7

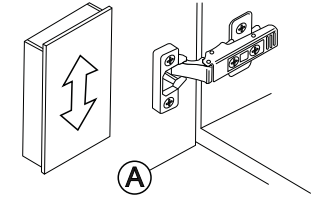


Securing to wall

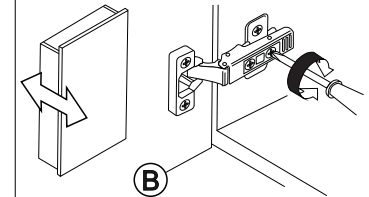


Button switch

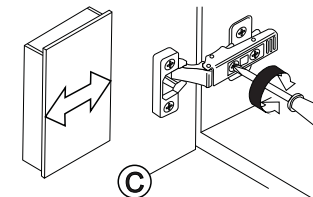
TAKE OFF THE BUFFER AND THE COVER OF THE HINGE WHEN DOOR NEED TO BE ADJUSTED



A



B



C

Door adjustment